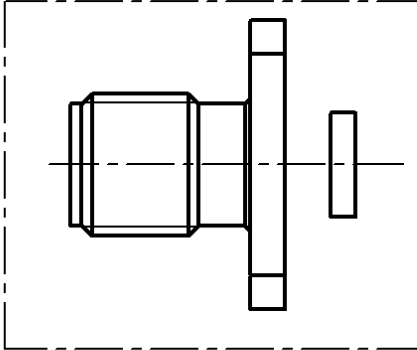


**SQUARE FLANGE JACK RECEPT. FOR 0.3 DIA  
WITH EMI GASKET + GLASS BEAD**

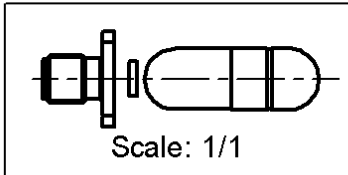
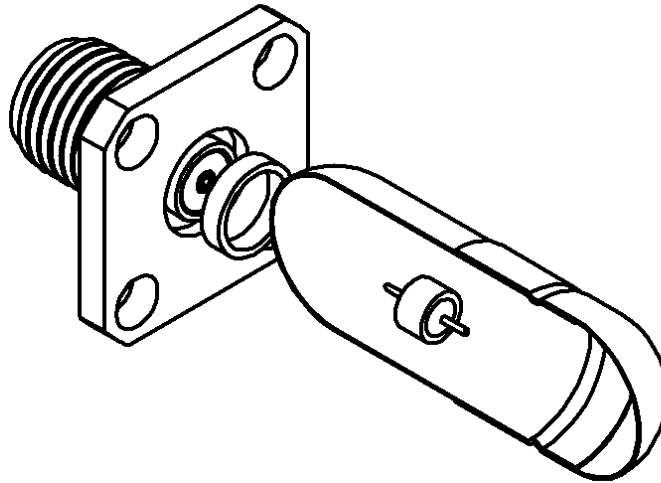
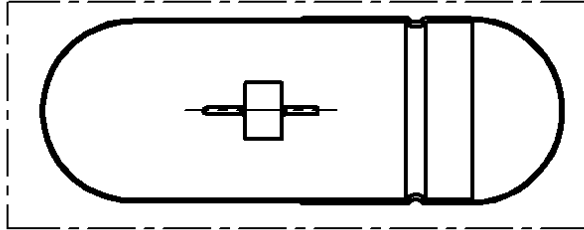
**R125.411.400**

Series : SMA

**CONNECTOR R125.411.000**



**GLASS SEAL R280.751.000**



All dimensions are in mm.



COMPONENTS	MATERIALS	PLATINGS (µm)
BODY	STAINLESS STEEL	GOLD 0.5 OVER NICKEL 2
CENTER CONTACT	BERYLLIUM COPPER	GOLD 1.3 OVER NICKEL 2
OUTER CONTACT	-	-
INSULATOR	PTFE+GLASS BEAD	-
GASKET	SILICON CuAg(conductor)	-
OTHERS PARTS	SILVER P	GOLD 1.3 OVER NICKEL 2
-	-	-
-	-	-

Issue : 0208 A

In the effort to improve our products, we reserve the right to make changes judged to be necessary.



**SQUARE FLANGE JACK RECEPT. FOR 0.3 DIA  
WITH EMI GASKET + GLASS BEAD**

**R125.411.400**

Series : SMA

**PACKAGING**

**SPECIFICATION**

Standard	Unit	Other
<b>100</b>	<b>'W' option</b>	<b>Contact us</b>

**ELECTRICAL CHARACTERISTICS**

**ENVIRONMENTAL**

Impedance **50** Ω  
 Frequency **0-18** GHz  
 VSWR **1.06** + **0.010** x F(GHz) Maxi  
 Insertion loss **0.07\*** √F(GHz) dB Maxi  
 RF leakage - ( **NA** - F(GHz)) dB Maxi  
 Voltage rating **335** Veff Maxi  
 Dielectric withstanding voltage **1000** Veff mini  
 Insulation resistance **5000** MΩ mini

Operating temperature **-65/+125** °C  
 Hermetic seal **NA** Atm.cm3/s  
 Panel leakage **NA**

**OTHERS CHARACTERISTICS**

Assembly instruction **Herm 01**

Others :  
 \* Coaxial Transmission Line Only

**MECHANICAL CHARACTERISTICS**

Center contact retention  
 Axial force – Mating end **27** N mini  
 Axial force – Opposite end **27** N mini  
 Torque **NA** N.cm mini

Recommended torque  
 Mating **NA** N.cm  
 Panel nut **NA** N.cm

Mating life **500** Cycles mini  
 Weight **2.681** g

Issue : 0208 A

In the effort to improve our products, we reserve the right to make changes judged to be necessary.

